



hanit® SERENGETI 1 SET

The versatile picnic bench

The Serengeti picnic bench is all about the group dynamic. This sturdy bench/table combination is perfect for campsites, holiday villages and youth hostels: wherever people get together, chat and mingle outdoors.

Material:

hanit® Recycled Plastic

Surface:

Structured, grained

Dimensions (W x D x H):

180 x 174 x 76 cm

Seat height:

46 cm

Weight:

169 kg

Slats:

Premium type

6 bench boards 180 x 10 x 4.7 cm

6 table boards 180 x 12 x 4.7 cm

Internal reinforcement

Advantages:

Durable and dimensionally stable

Never paint, varnish or grind again

No risk of injury from splinters

No annoying mothballing in winter (weatherproof)

Fast drying, no water absorption

Resistant to vandalism

Optional:

Ground anchor type 3

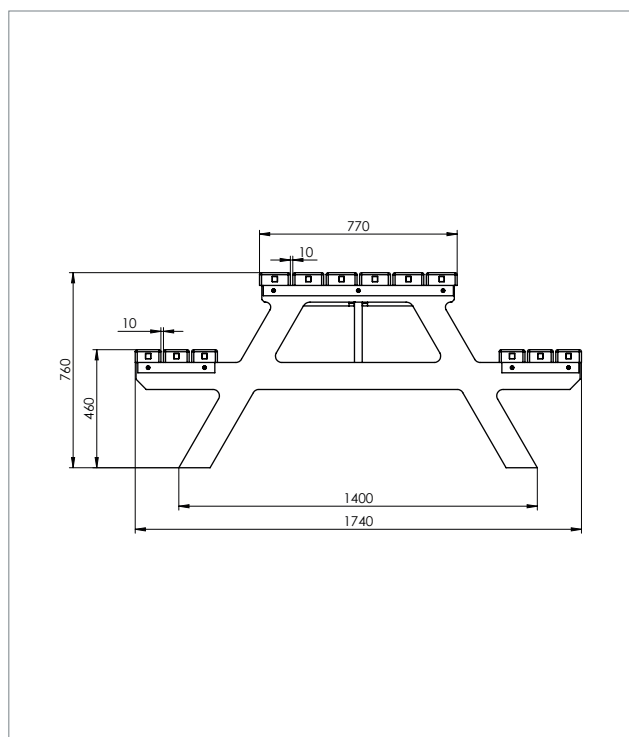


 Brown





TECHNICAL DRAWING

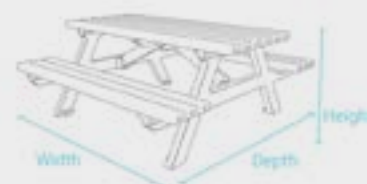


TECHNICAL DATA

Serengeti 1 seating group, width: 180 cm

Colour	Dimensions W x D x H (approx. cm)	Weight (approx. kg)	Order No
■ Brown	180 x 174 x 76	177.0	SGA 10 180

Benches and tables are delivered as a kit. Assembly instruction and materials are included.

FURTHER DOCUMENTS PLEASE SEE WWW.HANIT.DE

- » Assembly Instruction
- » Tender Specifications
- » Tests and Certificates
- » General Material Remarks

HAHN
KUNSTSTOFFE